



Shaped by

ALTURA



ALTURA

art. 41 CR 1500

Miscelatore vasca con duplex

Bath mixer with shower set

Mitigeur bain douche avec garniture

ΥΔΡΟΑΝΑΜΙΚΤΗΡ ΛΟΥΤΗΡΑ ΕΠΙΤΟΙΧΟΣ,

ΠΛΗΡΗΣ ΜΕ ΚΑΤΑΙΟΝΗΣΤΗΡΑ ΧΕΙΡΟΣ

art. 41 CR 1501

Miscelatore vasca con duplex, interasse mm. 100

Bath mixer mm. 100 with shower set

Mitigeur bain douche avec garniture, entraxe

mm. 100

ΥΔΡΟΑΝΑΜΙΚΤΗΡ ΛΟΥΤΗΡΑ ΕΠΙΤΟΙΧΟΣ,

ΠΛΗΡΗΣ ΜΕ ΚΑΤΑΙΟΝΗΣΤΗΡΑ ΧΕΙΡΟΣ (ΠΑΡΟΧΕΣ

ΣΤΑ 100ΜΜ)



art. 41 CR 1510

Miscelatore vasca senza duplex

Bath mixer without shower set

Mitigeur bain douche sans garniture

ΥΔΡΟΑΝΑΜΙΚΤΗΡ ΛΟΥΤΗΡΑ ΕΠΙΤΟΙΧΟΣ,

ΚΟΡΜΟΣ

art. 41 CR 1511

Miscelatore vasca senza duplex, interasse mm. 100

Bath mixer mm. 100 without shower set

Mitigeur bain douche sans garniture, entraxe

mm. 100



art. 41 CR 1700

Miscelatore doccia esterno frontale senza duplex,

attacco 1/2"

External shower mixer without shower set, 1/2"

connection

Mitigeur douche extérieur sans garniture,

connection 1/2"

ΥΔΡΟΑΝΑΜΙΚΤΗΡ ΛΟΥΤΗΡΑ ΕΠΙΤΟΙΧΟΣ,

ΚΟΡΜΟΣ, ΣΤΕΙΡΩΜΑ ΕΞΟΔΟΥ 1/2"

art. 41 CR 1710

Miscelatore doccia esterno frontale senza duplex,

attacco 3/4"

External shower mixer without shower set, 3/4"

connection

Mitigeur douche extérieur sans garniture,

connection 3/4"

ΥΔΡΟΑΝΑΜΙΚΤΗΡ ΛΟΥΤΗΡΑ ΕΠΙΤΟΙΧΟΣ,

ΚΟΡΜΟΣ, ΣΤΕΙΡΩΜΑ ΕΞΟΔΟΥ 3/4"



Shaped by

ALTURA

art. 41 CR 1750

Miscelatore doccia esterno frontale con duplex
External shower mixer with shower set
Mitigeur douche extérieur avec garniture
ΥΔΡΟΑΝΑΜΙΚΤΗΡ ΛΟΥΤΗΡΑ ΕΠΙΤΟΙΧΟΣ ΜΕ
ΚΑΤΑΙΟΝΗΣΤΗΡΑ ΧΕΙΡΟΣ



art. 41 CR 1720

Miscelatore doccia esterno senza duplex,
attacco 1/2"
*External shower mixer without shower set,
1/2" connection*
Mitigeur douche extérieur sans garniture,
connection 1/2"
ΥΔΡΟΑΝΑΜΙΚΤΗΡ ΛΟΥΤΗΡΑ ΕΠΙΤΟΙΧΟΣ,
ΚΟΡΜΟΣ, ΣΠΕΙΡΩΜΑ ΕΞΟΔΟΥ 1/2"



art. 41 CR 1721

Miscelatore doccia esterno senza duplex,
attacco 1/2", interasse mm. 100
*External shower mixer mm. 100 without shower set,
1/2" connection*
Mitigeur douche extérieur sans garniture,
connection 1/2", entraxe mm. 100
ΥΔΡΟΑΝΑΜΙΚΤΗΡ ΛΟΥΤΗΡΑ ΕΠΙΤΟΙΧΟΣ,
ΚΟΡΜΟΣ, ΣΠΕΙΡΩΜΑ ΕΞΟΔΟΥ 1/2" (ΠΑΡΟΧΕΣ
ΣΤΑ 100ΜΜ)



art. 41 CR 1730

Miscelatore doccia esterno senza duplex,
attacco 3/4"
*External shower mixer without shower set,
3/4" connection*
Mitigeur douche extérieur sans garniture,
connection 3/4"
ΥΔΡΟΑΝΑΜΙΚΤΗΡ ΛΟΥΤΗΡΑ ΕΠΙΤΟΙΧΟΣ,
ΚΟΡΜΟΣ, ΣΠΕΙΡΩΜΑ ΕΞΟΔΟΥ 3/4"

art. 41 CR 1731

Miscelatore doccia esterno senza duplex,
attacco 3/4", interasse mm. 100
*External shower mixer mm. 100
without shower set, 3/4" connection*
Mitigeur douche extérieur sans garniture,
connection 3/4", entraxe mm. 100



Shaped by

ALTURA

art. 41 CR 1760

Miscelatore doccia esterno con duplex
External shower mixer with shower set
Mitigeur douche extérieur avec garniture

art. 41 CR 1761

Miscelatore doccia esterno con duplex, interasse
mm. 100
External shower mixer mm. 100 with shower set
Mitigeur douche extérieur avec garniture, entraxe
mm. 100



art. 41 CR 1810

Miscelatore doccia incasso con braccio doccia e
soffione
*Built-in shower mixer with shower arm and
shower head*
Mitigeur douche à encastrer avec bras et
pomme de douche
ΥΔΡΟΝΑΜΙΚΤΗΡΑΣ ΕΝΤΟΙΧΙΣΜΕΝΟΣ ΜΕ
ΕΠΙΤΟΙΧΗ ΚΕΦΑΛΗ

art. 41 CR 1800

Miscelatore doccia incasso
Built-in shower mixer
Mitigeur douche à encastrer
ΥΔΡΟΝΑΜΙΚΤΗΡ ΕΝΤΟΙΧΙΣΜΕΝΟΣ



art. 41 CR 2710

Miscelatore lavabo, scarico aut. 1"1/4, tubi flex
cm.35
*One hole basin mixer, 1"1/4 automatic pop up
waste, flex cm. 35*
Mitigeur lavabo, vidage automatique 1"1/4, flexibles
cm. 35
ΥΔΡΟΝΑΜΙΚΤΗΡ ΝΙΠΤΗΡΟΣ ΜΕ ΑΥΤ. ΒΑΛΒ.
1 1/4"



art. 41 CR 2700

Miscelatore lavabo, scarico aut. 1"1/4, tubi rame
cm. 30
*One hole basin mixer, 1"1/4 automatic pop up
waste, copper tubes cm. 30*
Mitigeur lavabo, vidage automatique 1"1/4, tubes
cuivre cm. 30

art. 41 CR 2810

Miscelatore lavabo, testa cieca, tubi flex cm. 35
*One hole basin mixer, without pop up waste, with
flex cm. 35*
Mitigeur lavabo, sans vidage, avec flexibles cm. 35

art. 41 CR 2800

Miscelatore lavabo, testa cieca, tubi rame cm. 30
*One hole basin mixer, without pop up waste, with
copper tubes cm. 30*
Mitigeur lavabo, sans vidage, avec tubes cuivre
cm. 30



art. 41 CR 2709

Miscelatore lavabo monotubo, senza scarico
*One hole basin mixer, one water inlet, without pop up
waste*
Mitigeur lavabo, une seule entrée d'eau, sans
vidage

Shaped by

ALTURA

art. 41 CR 4633

Miscelatore lavabo, leva laterale, canna gonfiata cm. 13, scarico aut. 1"1/4, tubi flex cm. 35
One hole basin mixer, high spout cm. 13, 1"1/4 automatic pop up waste, flex cm. 35
Mitigeur lavabo, bec gonflé cm. 13, vidage automatique 1"1/4, flexibles cm. 35

art. 41 CR 4632

Miscelatore lavabo, leva laterale, canna gonfiata cm. 13, scarico aut. 1"1/4, tubi rame cm. 30
One hole basin mixer, high spout cm. 13, 1"1/4 automatic pop up waste, copper tubes cm. 30
Mitigeur lavabo, bec gonflé cm. 13, vidage automatique 1"1/4, tubes cuivre cm. 30



art. 41 CR 3710

Miscelatore bidet, scarico aut. 1"1/4, tubi flex cm. 35
One hole bidet mixer, 1"1/4 automatic pop up waste, flex cm. 35
Mitigeur bidet, vidage automatique 1"1/4, flexibles cm. 35
ΥΔΡΟΑΝΑΜΙΚΤΗΡ ΒΙΔΕΤ ΜΕ ΑΥΤ. ΒΑΛΒ. 1 1/4"



art. 41 CR 3700

Miscelatore bidet, scarico aut. 1"1/4, tubi rame cm. 30
One hole bidet mixer, 1"1/4 automatic pop up waste, copper tubes cm. 30
Mitigeur bidet, vidage automatique 1"1/4, tubes cuivre cm. 30

art. 41 CR 3810

Miscelatore bidet, testa cieca, tubi flex cm. 35
One hole bidet mixer, without pop up waste, with flex cm. 35
Mitigeur bidet, sans vidage, avec flexibles cm. 35

art. 41 CR 3800

Miscelatore bidet, testa cieca, tubi rame cm. 30
One hole bidet mixer, without pop up waste, with copper tubes cm. 30
Mitigeur bidet, sans vidage, avec tubes cuivre cm. 30



Shaped by

ALTURA

art. 41 CR 4510

Miscelatore lavello, tubi flex cm. 35

Sink mixer, flex cm. 35

Mitigeur évier, flexibles cm. 35

ΥΔΡΟΑΝΑΜΙΚΤΗΡ ΝΕΡΟΥΧΥΤΗ ΜΕ ΠΕΡΙΣΤΡΕΦΟΜΕΝΟ ΡΑΜΦΟΣ

art. 41 CR 4500

Miscelatore lavello, tubi rame cm. 30

Sink mixer, copper tubes cm. 30

Mitigeur évier, tubes cuivre cm. 30

art. 41 CR 4509

Miscelatore lavello monotubo, attacco 1/2"

Sink mixer, one water inlet, 1/2" connection

Mitigeur évier, une seule entrée d'eau, connection 1/2"

ΚΡΟΥΝΟΣ ΕΠΙΚΑΘΗΜΕΝΟΣ ΜΕ

ΠΕΡΙΣΤΡΕΦΟΜΕΝΟ ΡΑΜΦΟΣ



art. 41 CR 4511

Miscelatore lavello canna corta, tubi flex cm. 35

Sink mixer, short spout, flex cm. 35

Mitigeur évier, bec court, flexibles cm. 35

art. 41 CR 4631

Miscelatore lavello, leva laterale, canna gonfiata, tubi flex cm. 35

Sink mixer, side lever, high spout, flex cm. 35

Mitigeur évier, manette latérale, bec gonflé, flexibles cm. 35

ΥΔΡΟΑΝΑΜΙΚΤΗΡ ΝΕΡΟΥΧΥΤΗ ΜΕ

ΠΕΡΙΣΤΡΕΦΟΜΕΝΟ ΡΑΜΦΟΣ



art. 41 CR 4630

Miscelatore lavello, leva laterale, canna gonfiata, tubi rame cm. 30

Sink mixer, side lever, high spout, copper tubes cm. 30

Mitigeur évier, manette latérale, bec gonflé, tubes cuivre cm. 30



art. 41 CR 4660

Miscelatore lavello, leva laterale, canna tubo "J" cm. 20, tubi flex cm. 35

Sink mixer, side lever, tube "J" spout cm. 20, flex cm. 35

Mitigeur évier, manette latérale, bec "J" cm. 20, flexibles cm. 35

art. 41 CR 4650

Miscelatore lavello, leva laterale, canna tubo "J" cm. 20, tubi rame cm. 30

Sink mixer, side lever, tube "J" spout cm. 20, copper tubes cm. 30

Mitigeur évier, manette latérale, bec "J" cm. 20, tubes cuivre cm. 30

art. 41 CR 4659

Miscelatore lavello monotubo, leva laterale, canna tubo "J" cm. 20

Sink mixer, side lever, one water inlet, tube "J" spout cm. 20

Mitigeur évier, manette latérale, une seule entrée d'eau, bec "J" cm. 20

Shaped by

ALTURA

art. 41 CR 4664

Miscelatore lavello, leva laterale, canna fusa cm. 20, tubi flex cm. 35

Sink mixer, side lever, cast spout cm. 20, flex cm. 35

Mitigeur évier, manette latérale, bec fondu cm. 20, flexibles cm. 35



art. 41 CR 4610

Miscelatore lavello, leva laterale, canna "L", tubi flex cm. 35

Sink mixer, side lever, "L" spout, flex cm. 35

Mitigeur évier, manette latérale, bec "L", flexibles cm. 35

ΥΔΡΟΑΝΑΜΙΚΤΗΡ ΝΕΡΟΧΥΤΗ ΜΕ ΠΕΡΙΣΤΡΕΦΟΜΕΝΟ ΡΑΜΦΟΣ



art. 41 CR 4600

Miscelatore lavello, leva laterale, canna "L", tubi rame cm. 30

Sink mixer, side lever, "L" spout, copper tubes cm. 30

Mitigeur évier, manette latérale, bec "L", tubes cuivre cm. 30

art. 41 CR 4609

Miscelatore lavello monotubo, leva laterale, canna "L"

Sink mixer, side lever, one water inlet, "L" spout

Mitigeur évier, manette latérale, une seule entrée d'eau, bec "L"

ΚΡΟΥΝΟΣ ΕΠΙΚΑΘΗΜΕΝΟΣ ΜΕ ΠΕΡΙΣΤΡΕΦΟΜΕΝΟ ΡΑΜΦΟΣ



art. 41 CR 4730

Miscelatore lavello a muro, canna gonfiata

Wall sink mixer, high spout

Mitigeur évier mural, bec gonflé

ΥΔΡΟΑΝΑΜΙΚΤΗΡ ΝΕΡΟΧΥΤΗ ΕΠΙΤΟΙΧΟΣ



art. 41 CR 4700

Miscelatore lavello a muro, canna "L"

Wall sink mixer, "L" spout

Mitigeur évier mural, bec "L"

Shaped by

ALTURA

art. 41 CR 4742

Miscelatore lavello a muro, canna diritta cm. 20
Wall sink mixer, straight spout cm. 20
Mitigeur évier mural, bec droit cm. 20
ΥΔΡΟΑΝΑΜΙΚΤΗΡ ΝΕΡΟΧΥΤΗ ΕΠΙΤΟΙΧΟΣ ΜΕ
ΕΥΘΥ ΡΑΜΦΟΣ 20CM

art. 41 CR 4743

Miscelatore lavello a muro, canna diritta cm. 20,
interasse mm. 100
Wall sink mixer mm. 100, straight spout cm. 20
Mitigeur évier mural, bec droit cm. 20, entraxe
mm. 100



art. 41 CR 4715

Miscelatore lavello a muro, canna "S" cm. 20
Wall sink mixer, "S" spout cm. 20
Mitigeur évier mural, bec "S" cm. 20
ΥΔΡΟΑΝΑΜΙΚΤΗΡ ΝΕΡΟΧΥΤΗ ΕΠΙΤΟΙΧΟΣ
ΜΕ ΚΑΜΠΥΛΟ ΡΑΜΦΟΣ 20CM



art. 41 CR 4740

Miscelatore lavello a muro, canna tubo "S" cm. 20
Ø mm. 18
Wall sink mixer, "S" tube spout cm. 20 Ø mm. 18
Mitigeur évier mural, bec tube "S" cm. 20
Ø mm. 18

art. 41 CR 4741

Miscelatore lavello a muro, canna tubo "S" cm. 20
Ø mm. 18, interasse mm. 100
*Wall sink mixer mm. 100, "S" tube spout cm. 20
Ø mm. 18*
Mitigeur évier mural, bec tube "S" cm. 20
Ø mm. 18, entraxe mm.100



art. 41 CR 4750

Miscelatore lavello a muro, canna diritta cm. 30,
con deviatore e duplex
*Wall sink mixer, straight spout cm. 30, with diverter
and shower set*

Mitigeur évier mural, bec droit cm. 30 avec inver-
seur et garniture
ΥΔΡΟΑΝΑΜΙΚΤΗΡ ΝΕΡΟΧΥΤΗ ΕΠΙΤΟΙΧΟΣ ΜΕ
ΡΑΜΦΟΣ 30CM & ΚΑΤΑΙΟΝΗΣΤΗΡΑ ΧΕΙΡΟΣ

art. 41 CR 4751

Miscelatore lavello a muro, canna "S" cm. 35, con
deviatore e duplex
*Wall sink mixer, "S" spout cm. 35, with diverter and
shower set*

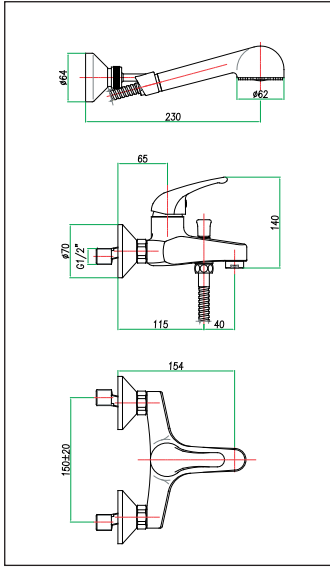
Mitigeur évier mural, bec "S" cm. 35
avec inverseur et garniture
ΥΔΡΟΑΝΑΜΙΚΤΗΡ ΝΕΡΟΧΥΤΗ ΕΠΙΤΟΙΧΟΣ ΜΕ
ΡΑΜΦΟΣ 35CM & ΚΑΤΑΙΟΝΗΣΤΗΡΑ ΧΕΙΡΟΣ



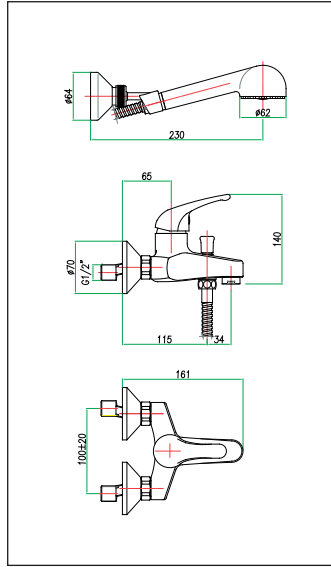
Vi preghiamo di indicare il relativo codice sui Vostri ordini
Please state the relevant code on your orders
Nous vous prions d'indiquer les codes dans vos commandes

Shaped by

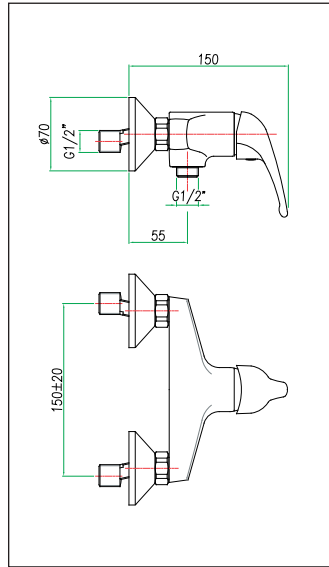
ALTURA



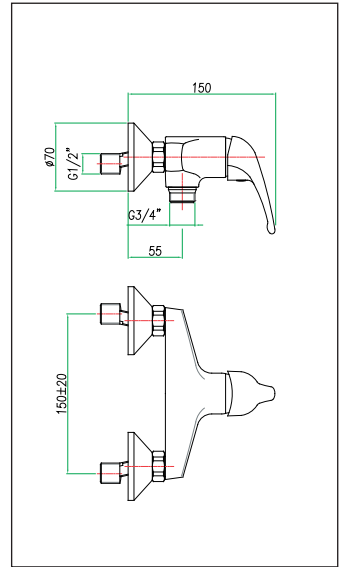
art. 41 CR 1500
art. 41 CR 1510



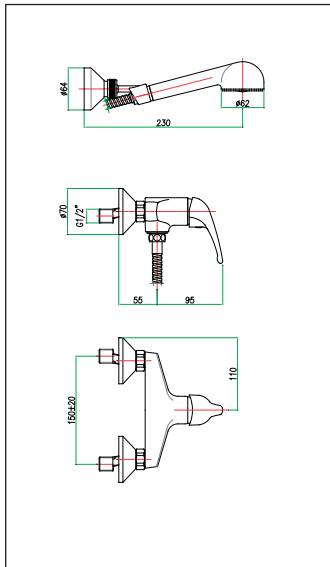
art. 41 CR 1501
art. 41 CR 1511



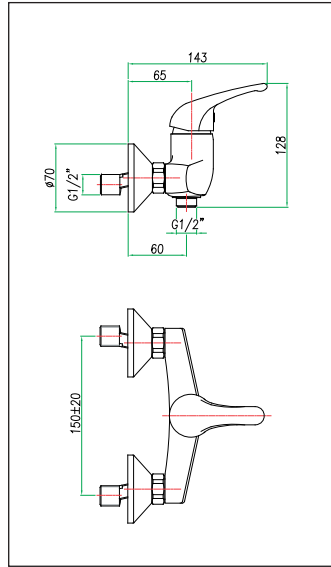
art. 41 CR 1700



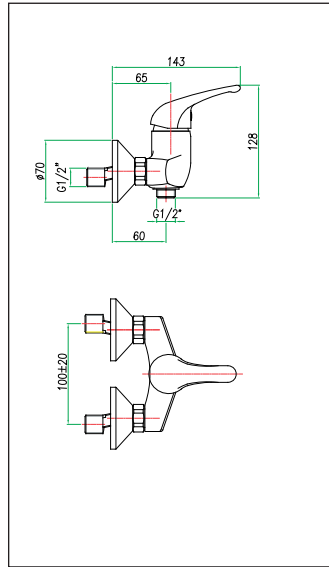
art. 41 CR 1710



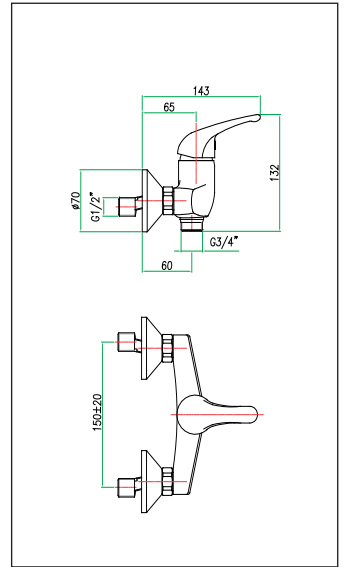
art. 41 CR 1750



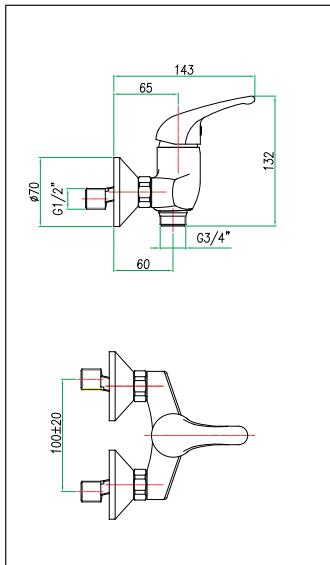
art. 41 CR 1720



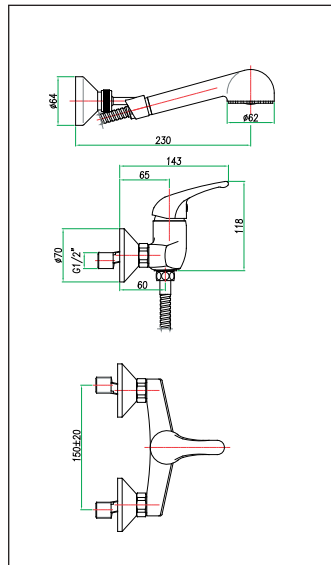
art. 41 CR 1721



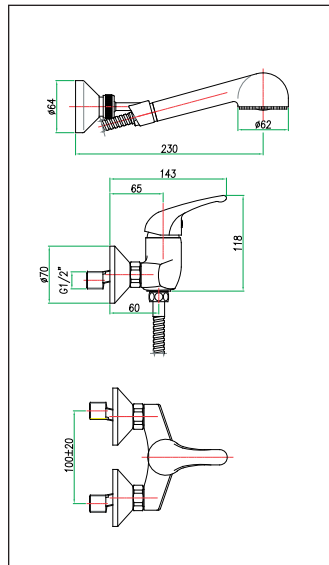
art. 41 CR 1730



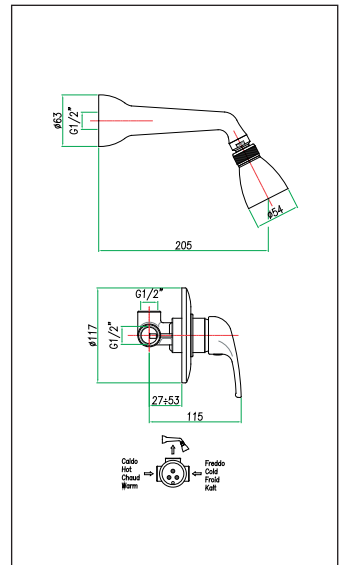
art. 41 CR 1731



art. 41 CR 1760



art. 41 CR 1761

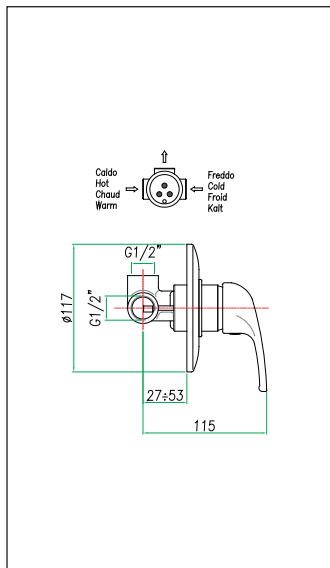


art. 41 CR 1810

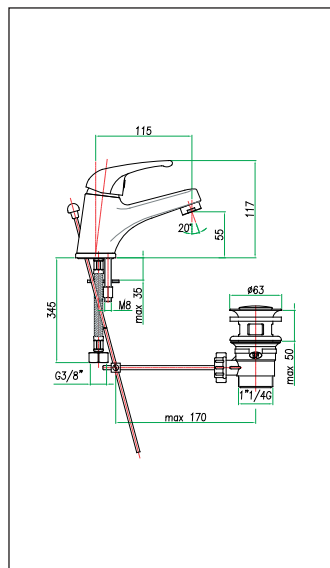
Shaped by



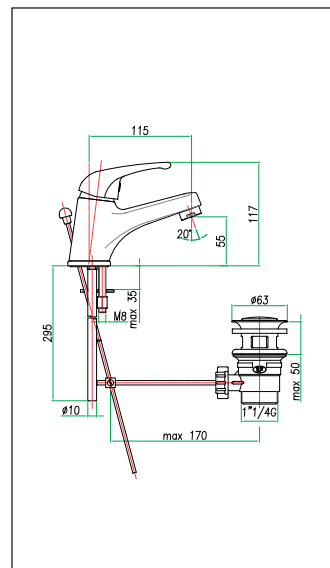
ATURA



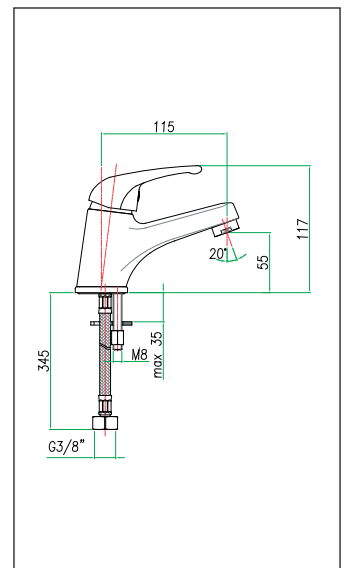
art. 41 CR 1800



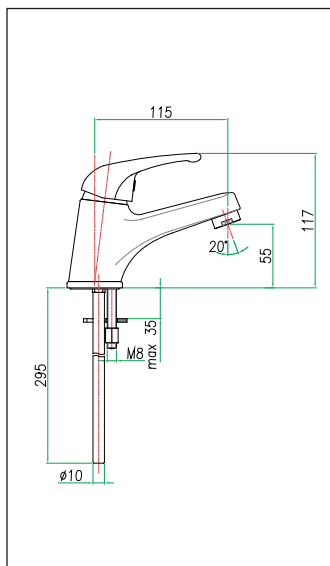
art. 41 CR 2710



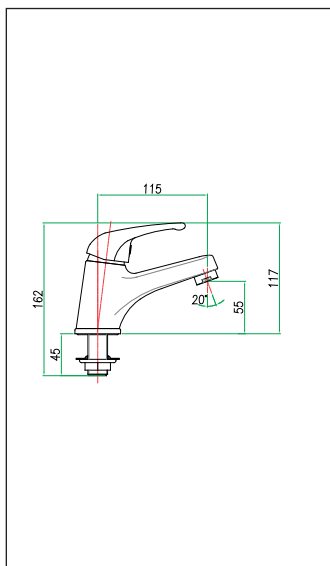
art. 41 CR 2700



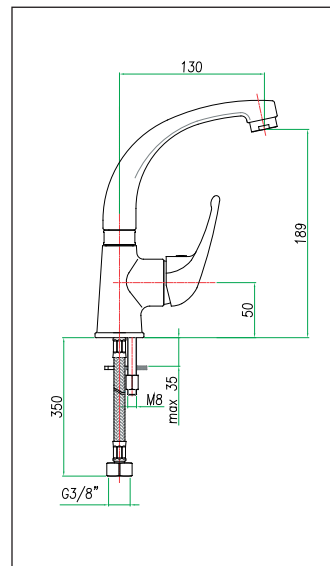
art. 41 CR 2810



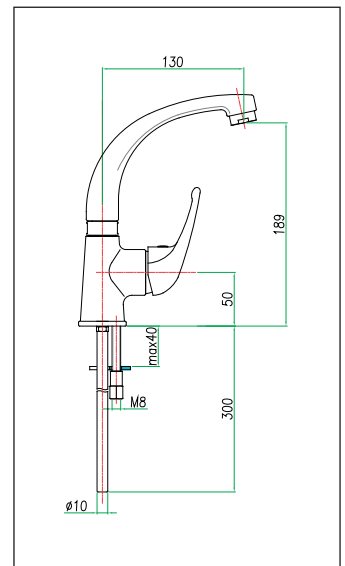
art. 41 CR 2800



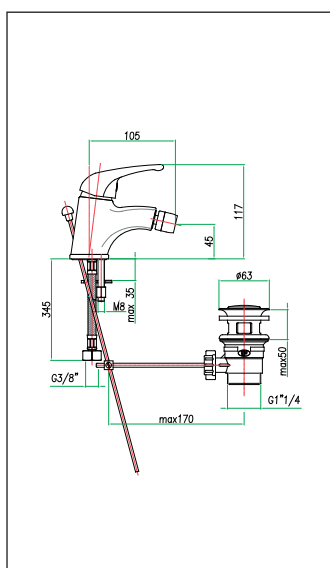
art. 41 CR 2709



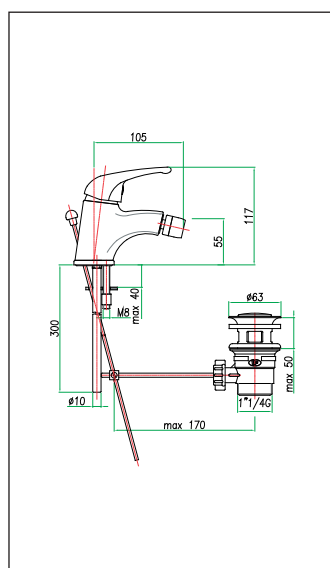
art. 41 CR 4633



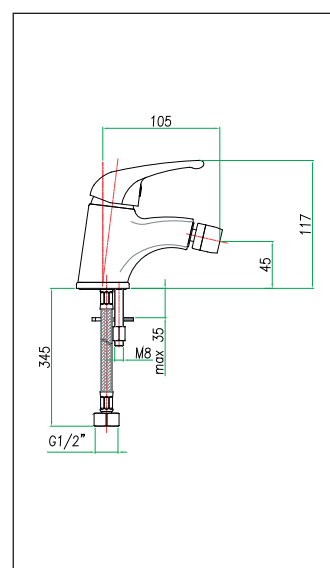
art. 41 CR 4632



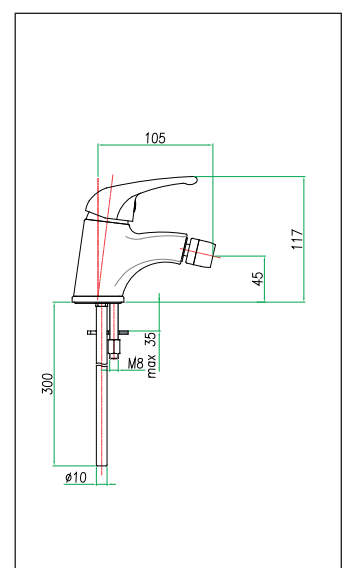
art. 41 CR 3710



art. 41 CR 3700



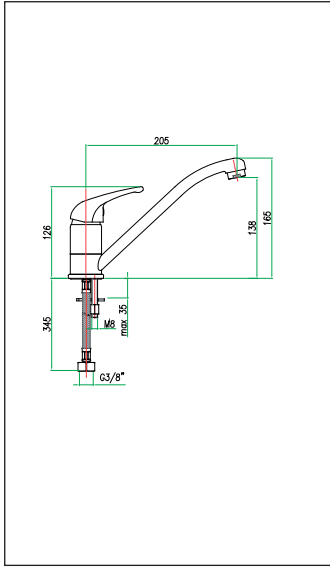
art. 41 CR 3810



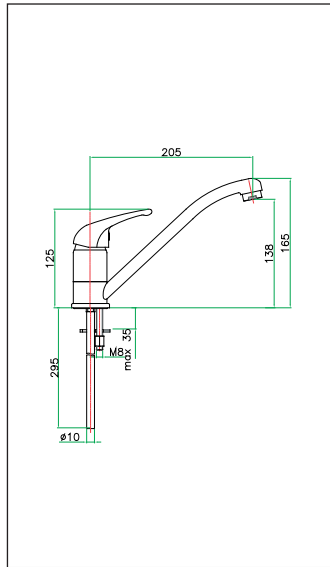
art. 41 CR 3800

Shaped by

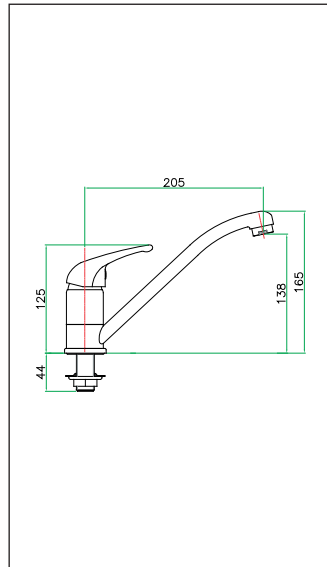
ALURA



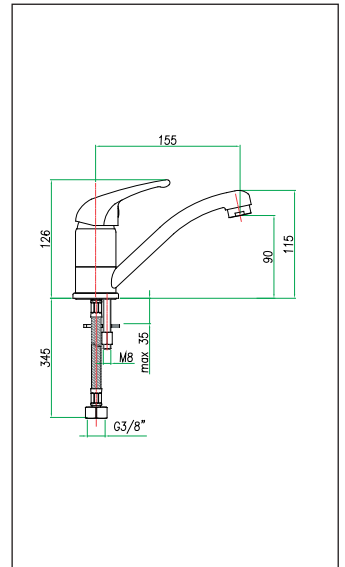
art. 41 CR 4510



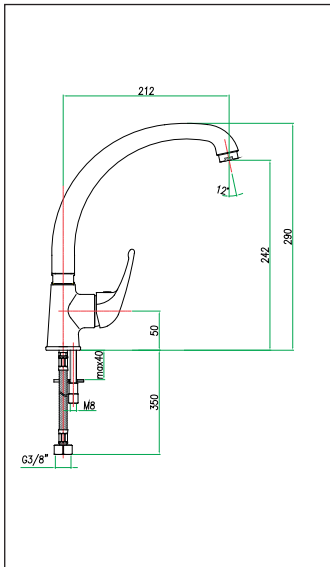
art. 41 CR 4500



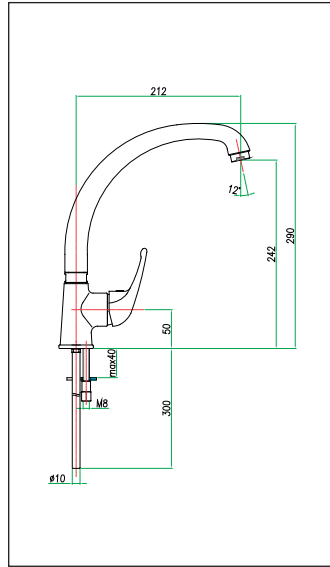
art. 41 CR 4509



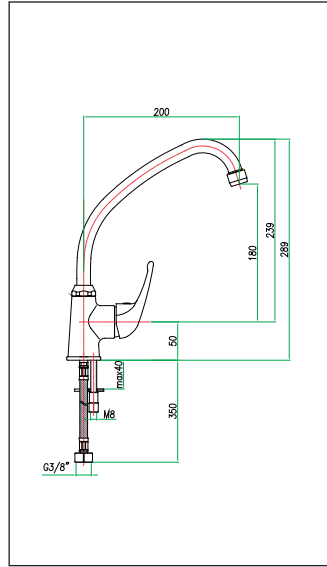
art. 41 CR 4511



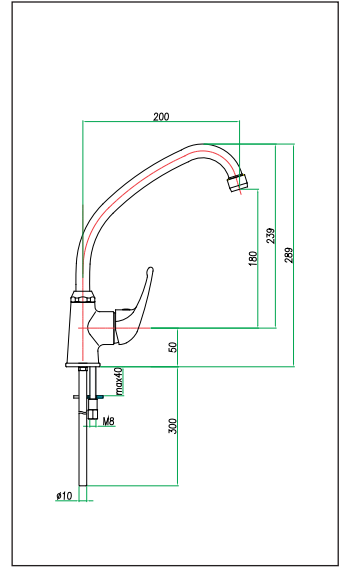
art. 41 CR 4631



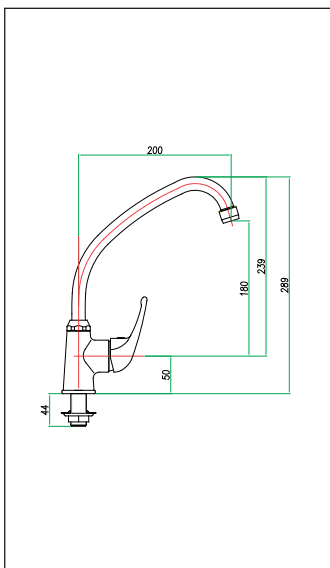
art. 41 CR 4630



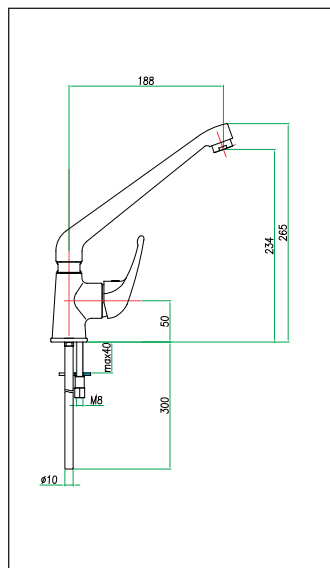
art. 41 CR 4660



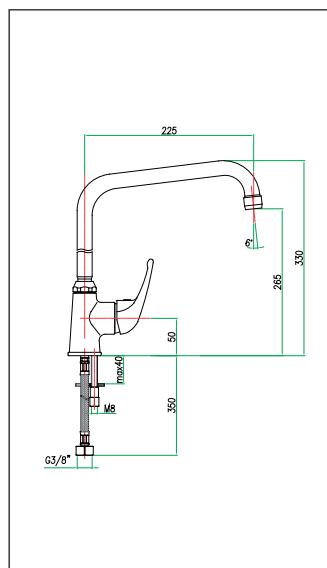
art. 41 CR 4650



art. 41 CR 4659

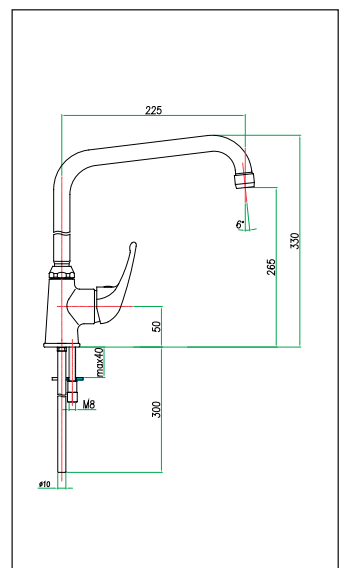


art. 41 CR 4664

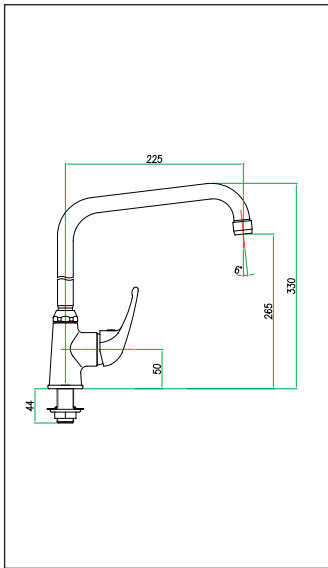


art. 41 CR 4610

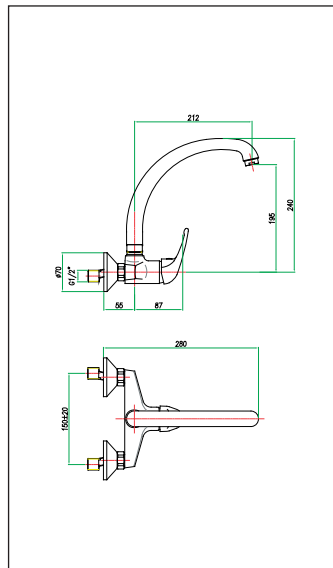
Shaped by



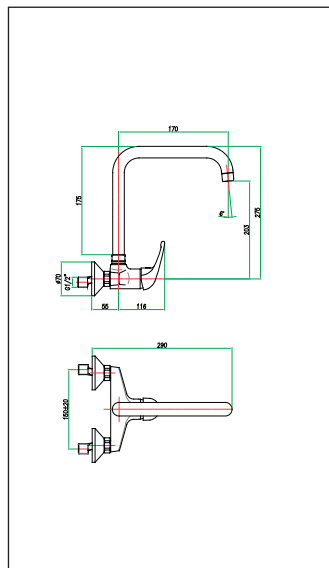
art. 41 CR 4600



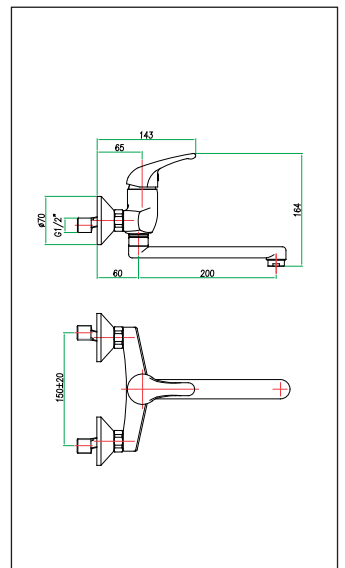
art. 41 CR 4609



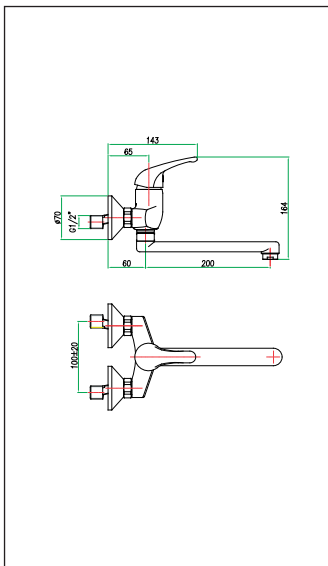
art. 41 CR 4730



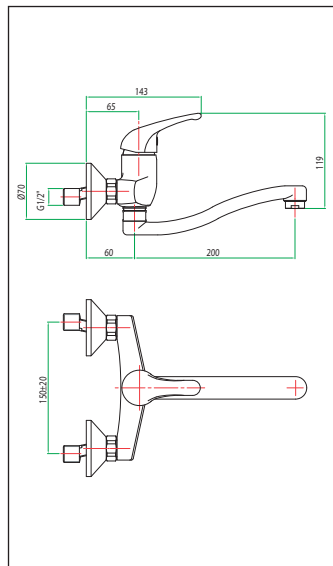
art. 41 CR 4700



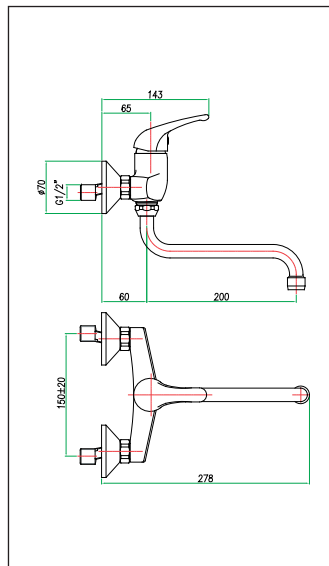
art. 41 CR 4742



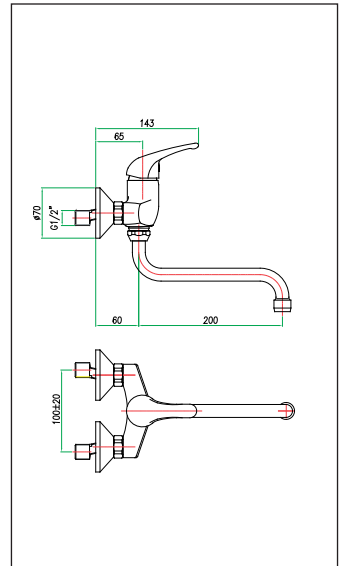
art. 41 CR 4743



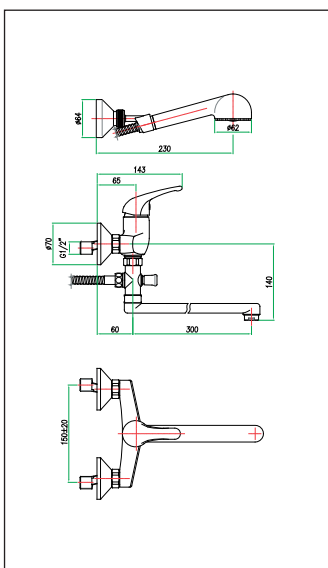
art. 41 CR 4715



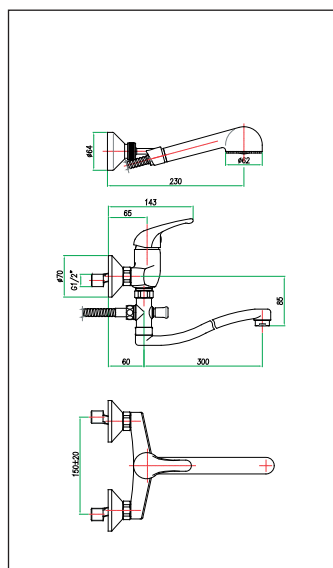
art. 41 CR 4740



art. 41 CR 4741



art. 41 CR 4750



art. 41 CR 4751



Shaped by

ALTURA



FIORE S.p.A.
28021 Borgomanero (No) - Italia - Via Maggiate, 69/C - C.P. 35
Tel. +39 0322.840.711 - Fax +39 0322.840.777
www.fiore.it - fiore@fiore.it